



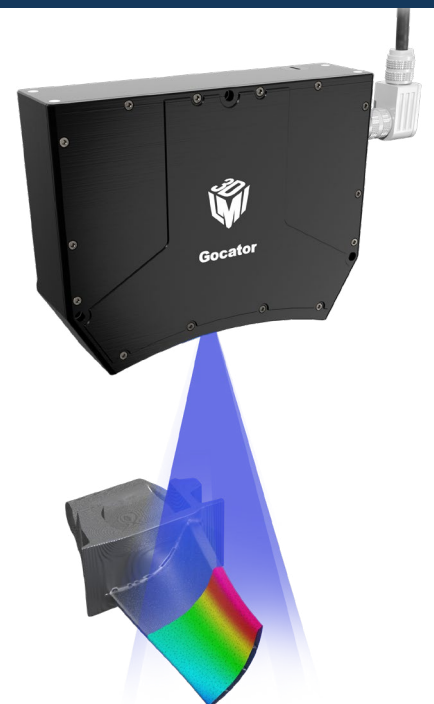
Gocator[®]
ALL-IN-ONE 3D SMART SENSOR

3D LASER LINE PROFILERS

Advancing Quality and Productivity With 3D SensorTechnology

Polyga as the official distributor of LMI Technologies across Western Canada brings together the all-in-one 3D smart sensors trusted worldwide for automated inline inspection.

Gocator combines 3D scanning, measurement and control in a single device, with no external PCs or controllers required. This efficient design paired with high-performance functionality makes Gocator easy to integrate into existing inspection systems—minimizing system cost and maximizing product quality and throughput.





Gocator 2500 Series

Ultra High-Speed Line Profilers for Small Parts 3D Inspection

- Ideal for fast-moving inline inspection systems
- 2-Megapixel imager. Up to 1920 points per profile resolution
- Scan, measurement, and control at up to 10 kHz
- Field-of-view up to 100 mm
- Measurement range up to 80 mm

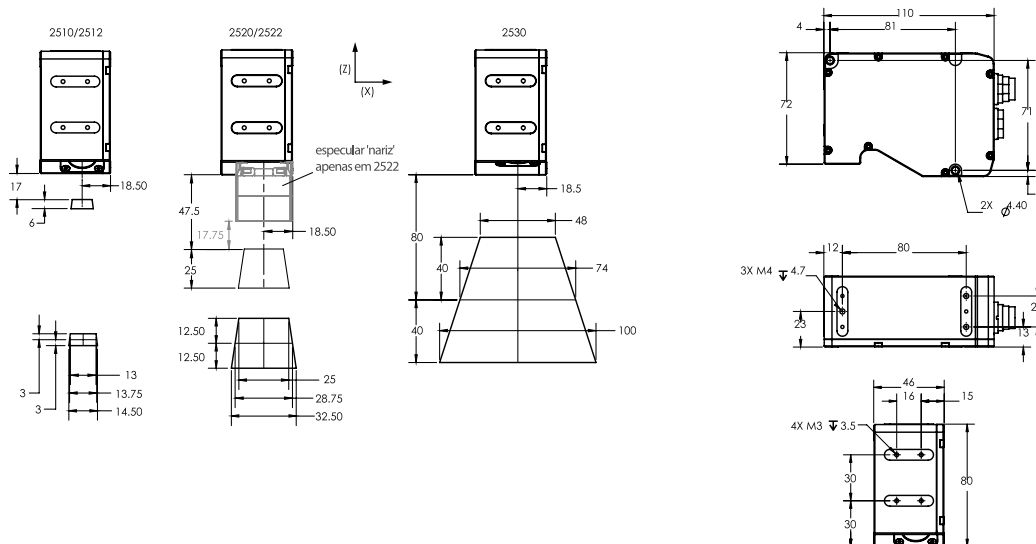
Specifications

	2510	2512	2520	2522	2530
Data Points / Profile	1920	1920	1920	1920	1920
Scan Rate	2.4	2.4	1.6	1.6	2.0
Linearity Z (+/- % of MR)	0.015	0.015	0.006	0.006	0.01
Resolution X (mm) (Profile Data Interval)	8.0	8.0	13.0 - 17.0	13.0 - 17.0	28.0 - 54.0
Repeatability Z (µm)	0.2	0.2	0.4	0.4	0.5
Clearance Distance (CD) (mm)	17.0	17.0	47.5	17.75	40.0
Measurement Range (MR) (mm)	6	80	210	400	500
Field of View (FOV) (mm)	13.0 - 14.5 (diffuse)	13.0 - 14.5 (diffuse & specular)	25.0 - 32.5 (diffuse)	25.0 - 32.5 (diffuse); 25.0 (specular)	48.0 - 100.0 (diffuse)
Dimensions (mm)	46x80x110	46x80x110	46x80x110	46x110x110	46x80x110
Weight (kg)	0.65	0.65	0.65	0.65	0.65

Optical models, laser classes, and packages can be customized. Contact LMI for more details. Specifications stated are based on standard laser classes. Linearity Z, Resolution Z, and Repeatability Z may vary for other laser classes.

ALL 2500 SERIES MODELS

Interface	Gigabit Ethernet
Inputs	Differential Encoder, Laser Safety Enable, Trigger
Outputs	2x Digital output, RS-485 Serial (115 kBaud), 1x Analog Output (4 - 20 mA)
Input Voltage (Power)	+24 to +48 VDC (13 Watts); Ripple +/- 10%
Housing	Gasketed aluminum enclosure, IP67
Operating Temperature	0 to 50°C
Storage Temperature	-30 to 70°C
Vibration Resistance	10 to 55 Hz, 1.5 mm double amplitude in X, Y, and Z directions, 2 hours per direction
Shock Resistance	15 g, half sine wave, 11 ms, positive and negative for X, Y, and Z directions
Scanning Software	Browser-based GUI and open source SDK for configuration and real-time 3D visualization. Open source SDK, native drivers, and industrial protocols for integration with user applications, third-party image processing applications, and PLCs.



*As posições de montagem são idênticas para todos os modelos