



Polyga C210 3D SCANNER

Ruggedized  Accurate

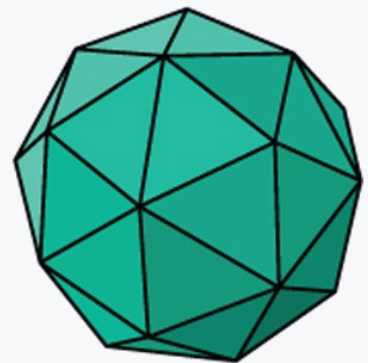
Easy to Use, High Accuracy 3D Scanning

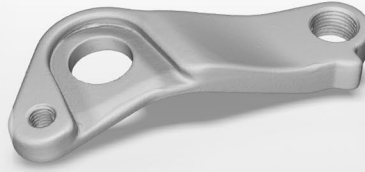
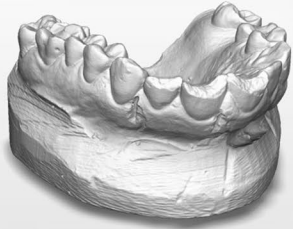
Convenient and easy to use, this professional 3D scanner is factory calibrated for accuracy to get you 3D scanning in no time. The Polyga Compact 3D scanners are great for any companies, manufacturers, academic institutions, visual effect studios, and research labs that need accurate and reliable 3D scan data for visualization and measurement applications including:

- Reverse engineering
- Computer and robotic vision
- Scientific measurement and documentation
- Quality inspection
- 3D modeling
- Rapid prototyping / 3D printing

The C210 is IP67 rated, dust proof and vibration resistant. It's ideal for computer vision and robotic controlled applications

C210 for parts:
5 cm to 30cm in size





Specifications

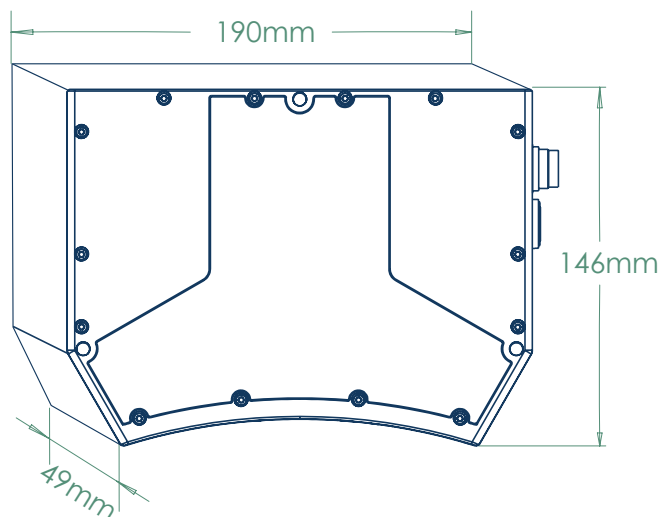
Cameras: 2 x 2 megapixel mono

Accuracy: 35 microns

Average Points: 2 Million

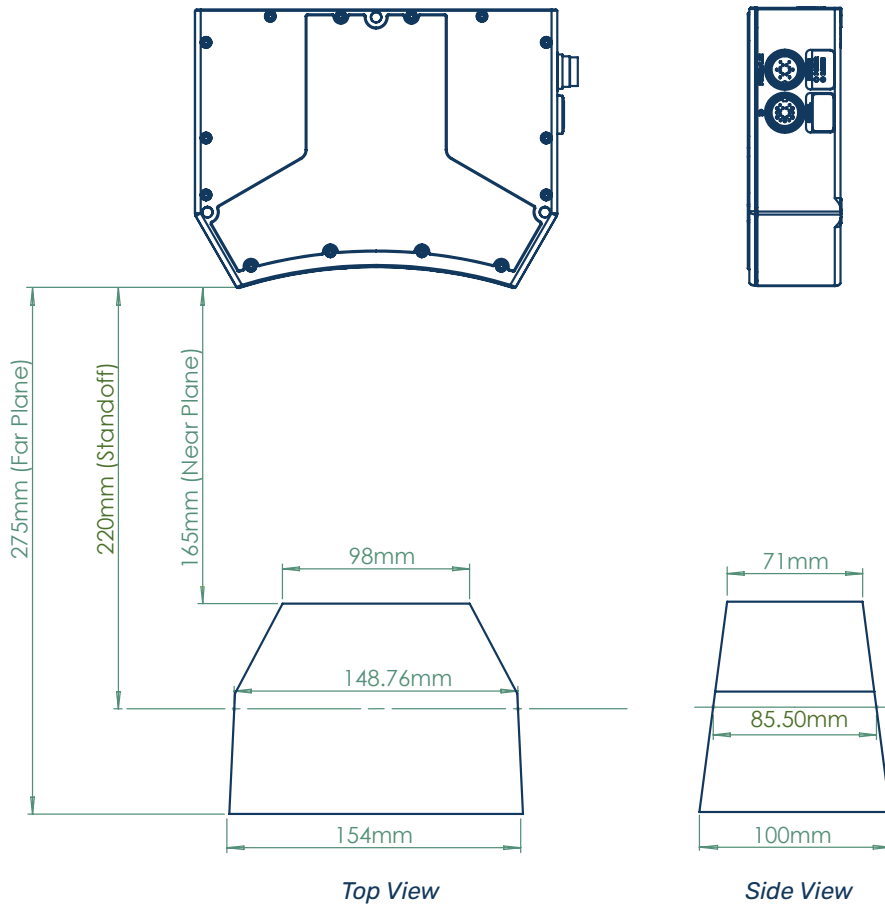
Scan Speed: 250 ms (0.25 seconds)

Size: 190mm x 146mm x 49mm



Specifications

Field of View & Standoff Distance



Field of View: 98 x 71 - 154 x 100 mm (100mm)

Standoff: 220 mm

Point to Point Distance: 0.07 mm

Export Fromats: PLY, STL, OBJ, ASC

Scanning Software: FlexScan3D
